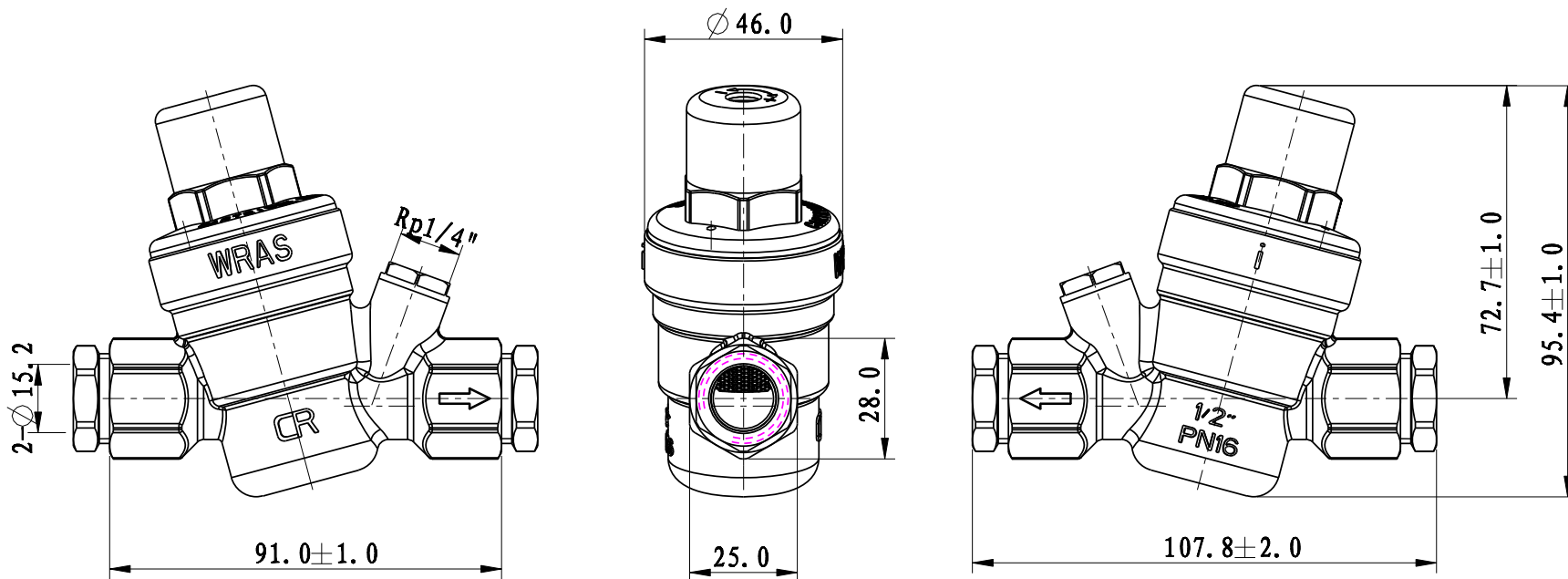


Tolerances Unless Otherwise Specified		Issue number	
Basic Size	<6	Product	✓
	≥6~30	Proofing	
	≥30~120	Trial manufacture	
	≥120~500	Modification	0
Tolerance	±0.1	Revision	A
	±0.2		
	±0.3		
	±0.5		

Requirement:  
1.Factory setting:3bar



					Title:  Inclined pressure reducing valve 15mm	Projection		
					NO. : NEX-1PRG212  Client NO.:	Material	CW625N	
						Weight	456g	
Mark	Revision	Description	Autograph	E.C.N		Date		
Design	Yi.liu		2020.10.22	Size		A4		
Checked	Shuang.wang			Scale		1:1		
Approval	Shuang.wang			Tolerance grade	IT14			
File				Units	mm			
<i>IDC Fluid Control Co.,LTD</i> Beijing								