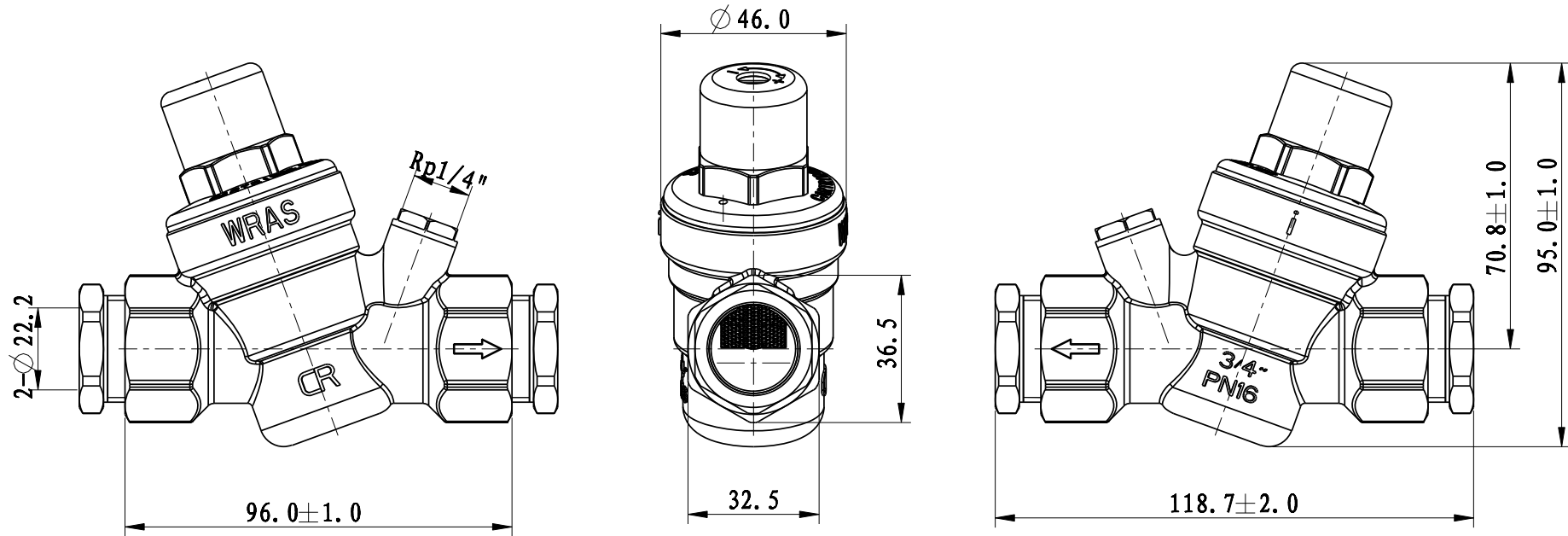


Tolerances Unless Otherwise Specified		≥120~500	±0.5
Basic Size	<6	≥6~30	±0.2
Tolerance	±0.1	±0.3	±0.5
Revision	A	Modification	0
Trial manufacture		Proofing	
Product	✓	Issue number	



Requirement:  
1.Factory setting:3bar

Mark	Revision	Description	Autograph	E.C.N	Date	Title:  Inclined pressure reducing valve 22mm	Projection	
Design	Yi.liu	2020.10.22	Size	A4			Material	CW625N
Checked	Shuang.wang		Scale	1:1		Weight	550g	
Approval	Shuang.wang		Tolerance grade	IT14		NO. :  NEX-1PRG215		
File			Units	mm			Client NO.:	
						IDC Fluid Control Co.,LTD Beijing		