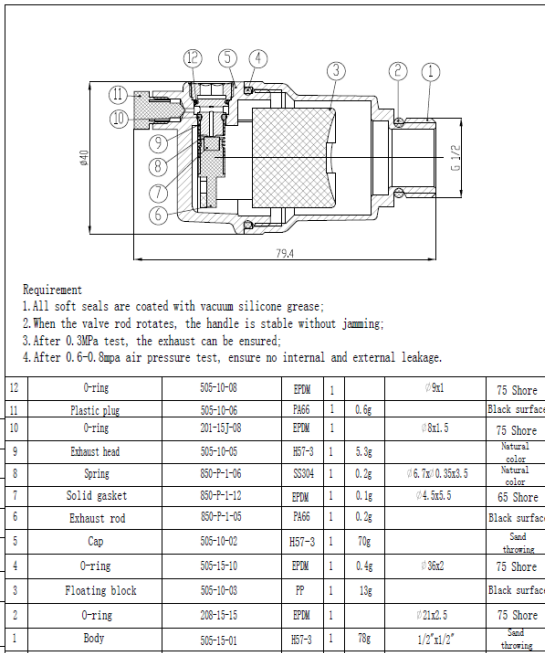


# Data Sheet

## NEX-1AVA104



### 1/2" Auto Air



## Materials

Body	Forged Brass
Connection	1/2"

## Specifications

Type	Top vent
Colour	Brass
Operation	Air
Max Temp	110'c
Min Temp	0'c
Operating Pressure	10 bar

## Dimensions

Height ex check valve	79.4
Diameter	40
Weight	168 grms
Bulk quantity	100

## Intended Use

AAV's are designed for use in sealed heating systems to continually remove air during the initial filling and subsequent operation of the system. As water circulates around a sealed heating system, it begins to evaporate and separate. If the air is left within the system can cause noisy pipework, cold spots at the top of radiators and an overall decrease in system efficiency. AAV's eliminate these problems by allowing trapped air to escape the system without the need for constant manual venting of radiators. The AAV also benefits from being supplied with a check valve; enabling the AAV to be removed from the system without the need for time consuming drain down - making it the perfect choice for professional installations.



Next Day Plumbing Supplies Ltd  
Registered office : 23 Beaumont Gardens : Poulton-Le-Fylde : England : FY6 7NX

[www.nextdayplumbingsupplies.com](http://www.nextdayplumbingsupplies.com) : [info@nextdayplumbingsupplies.com](mailto:info@nextdayplumbingsupplies.com)